

Rev.	Sym.	Q'TY	ICN/ECN NO	Changed by	Date
V1.0			the first release		

COMPANY CONFIDENTIAL

A

B

C

D

E

F

A

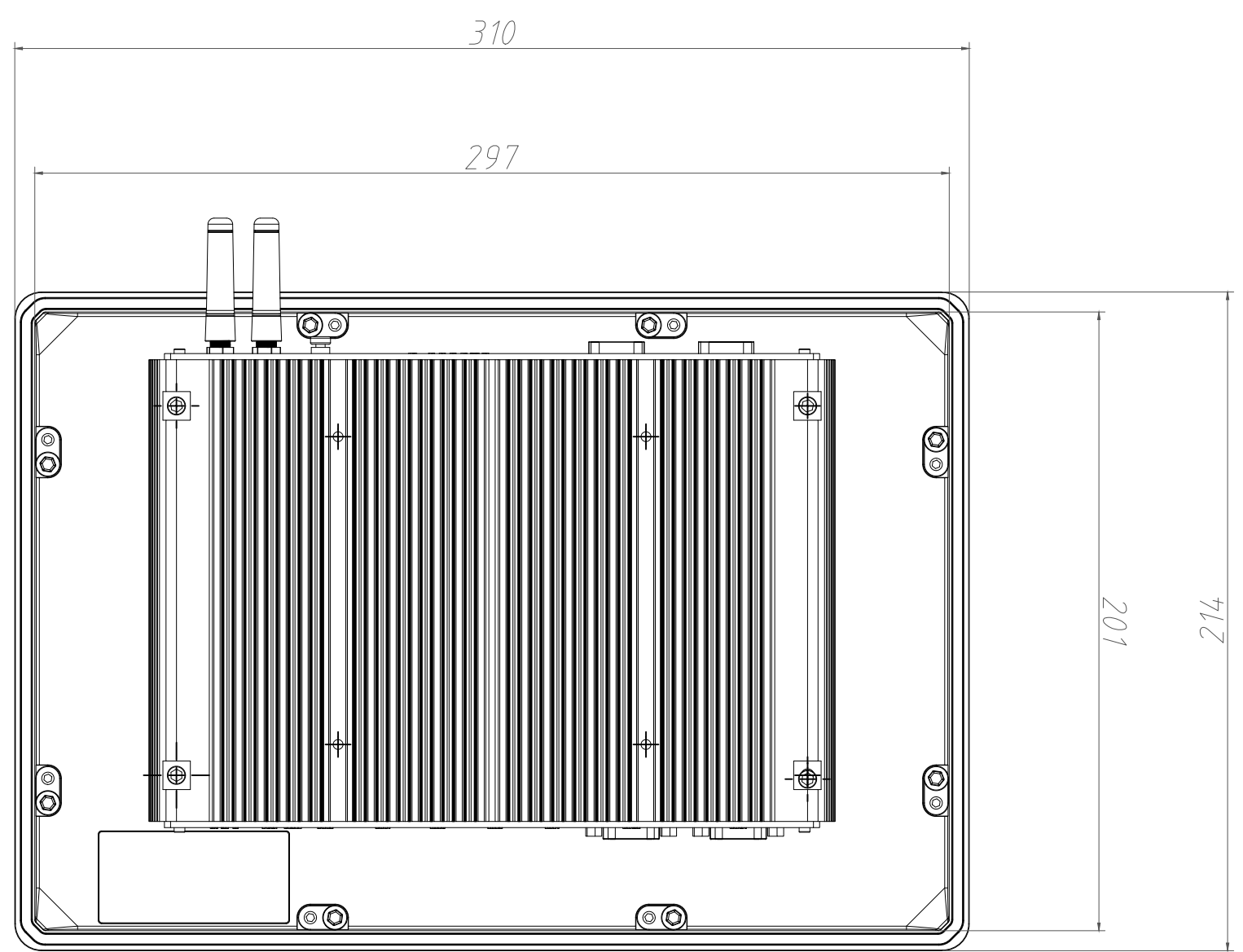
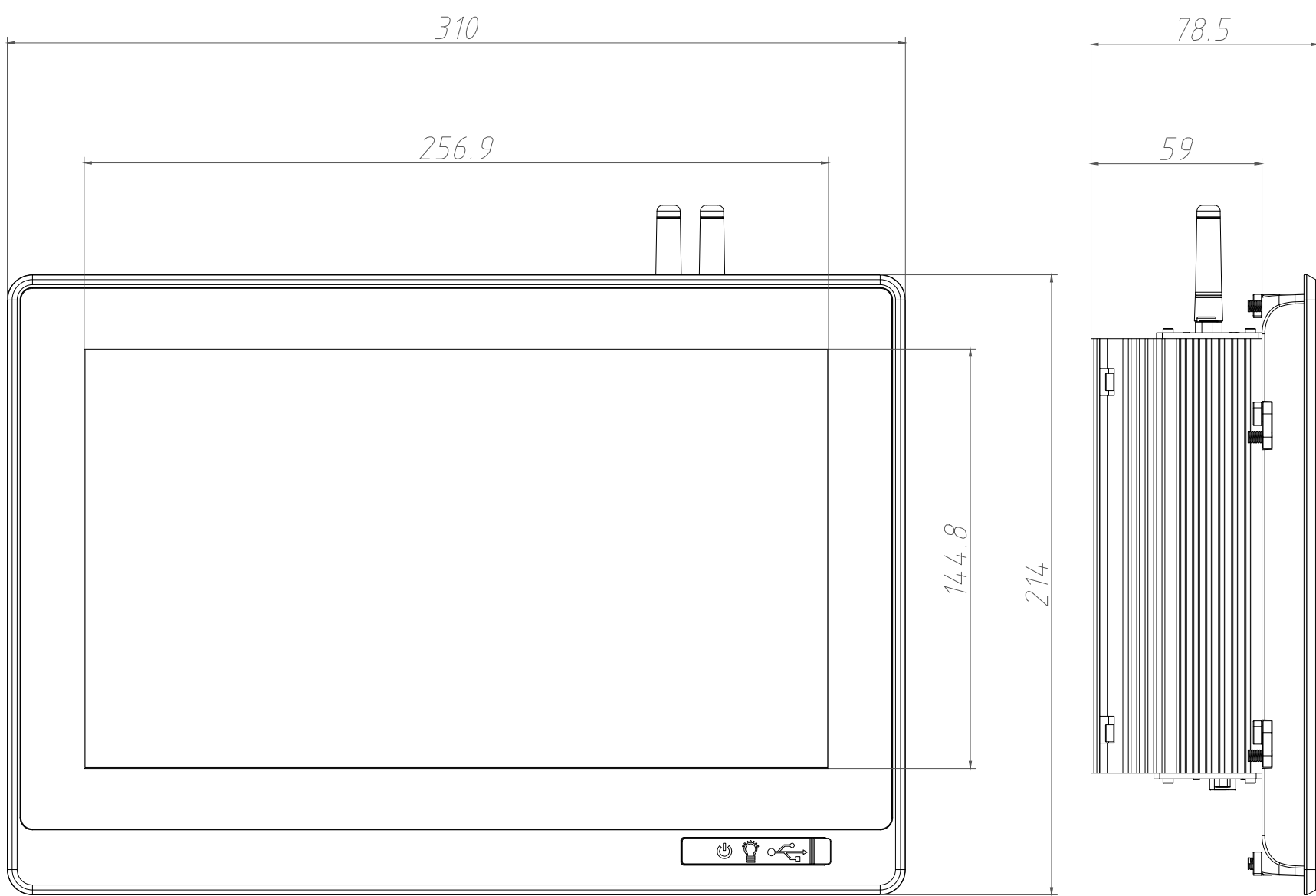
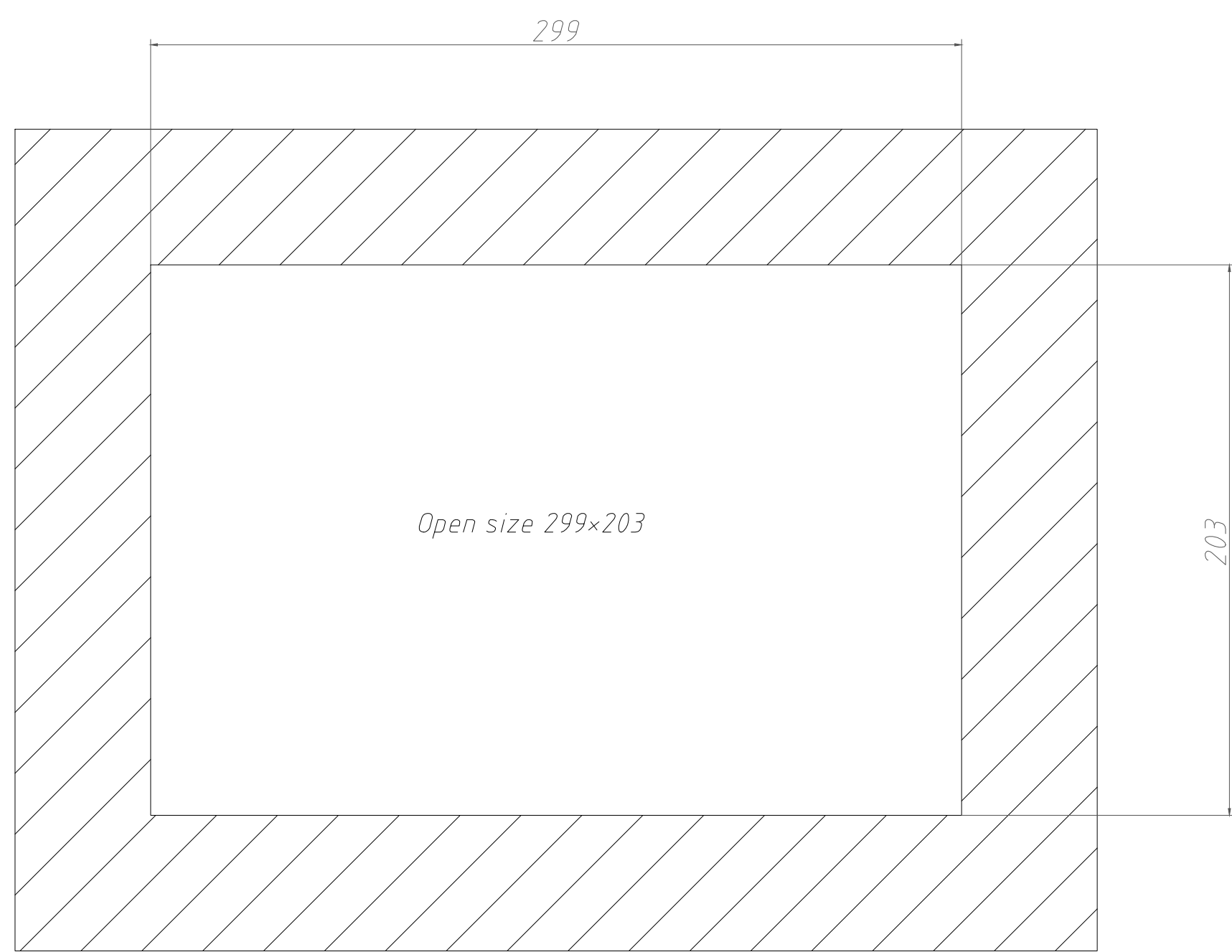
B

C

D

E

F



<b>PANELMATE</b> Creative HMI Solution First angle system 	Project Name :		Part Name			
	Design		Part No			
	Check		Material	See Notes	Size:	Scale: 1:1
	Approve		Process	See Notes	Unit: mm	Sheet: 1 of 1